

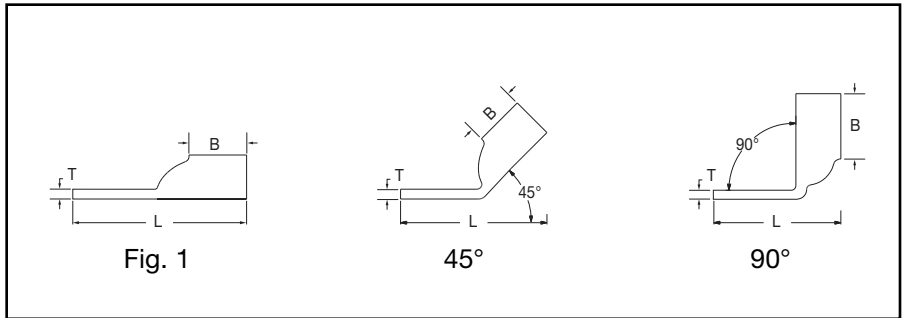
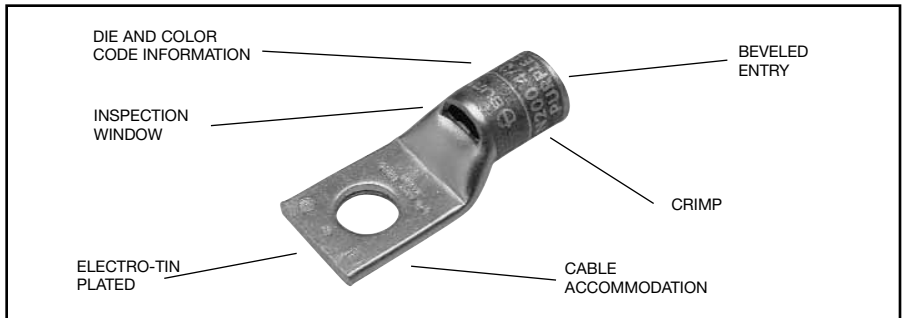
**ONE HOLE HYLUG™
CODE CONDUCTOR
STANDARD BARREL**

TYPES YA-L, YA-L-TC

**COPPER COMPRESSION
TERMINAL**

UL Listed 90° C,
600 Volts to 35 kV ◆

45° and 90° angles are available.
Please contact Customer Service to order:
1-800-346-4175



Catalog Number	Fig #	Conductor		Stud Hole Size	Tongue Width	Figure Dimensions			Dieless (# of crimps)	▲ Installation Tooling				Wire Strip Length	
		AWG	*** MM ²			(B)	(T)	(L)		Mechanical MD6, OUR840, MD7-34R	Hydraulic BCT500HS, Y500CTHS	Y35, Y39, Y750, Y46*, PAT750	Color Code		Die Index
YAV10-BOX	1	#14-#10 Str Sol	6	8-10	.38"	.405"	.058"	1.02"	Y8MRB-1 (1)	—	—	—	—	—	7/16"
YAV10R-BOX	3			1/4"	.47"	.405"	.047"	.83"							
YAV10R3-BOX	3			5/16"	.53"	.38"	.047"	1.12"							
YAV10T2-BOX	1			1/4"	.47"	.405"	.047"	1.10"							
YAV10T3-BOX	1			3/8"	.56"	.38"	.047"	1.18"							
YAV10T4-BOX	1			1/4"	.44"	.44"	.08"	1.26"							
YA8CL1-BOX	1	#8 AWG #8 Weld 37/24 #6 Solid	† 10	5/16"	.52"	.44"	.06"	1.38"	Y1MRTC (1) Y8MRB-1 (1) MY29-3 (1) MY29-11 (1) MRC840 (1) Y81KFT (1) Y81KFTMBH (1) PAT81KFT-18V (1)	W8CVT (1) W8CRT (1) X8CRT (1)	W8CVT (1) W8CRT (1) X8CRT (1)	U8CRT (1)	Red	49	7/16"
YA8CL2-BOX	1			3/8"	.58"	.44"	.06"	1.51"							
YA8CL3-BOX	1			1/2"	.71"	.44"	.05"	1.76"							
YA8CL4-BOX	1			8-10	.41"	.44"	.08"	1.16"							
YA8CL-BOX	1			1/4"	.45"	.54"	.08"	1.18"							
YA6CL-BOX	1	#6 AWG		8-10	.41"	.54"	.09"	.99"	Y1MRTC (1) MY29-3 (1) MY29-11 (1) MRC840 (1) Y81KFT (1) Y81KFTMBH (1) PAT81KFT-18V (1)	W5CVT (1) W5CRT (1) X5CRT (1) X8CART (1)	W5CVT (1) W5CRT (1) X5CRT (1) X8CART (1)	U5CRT (1)	Blue	7	5/8"
YA6CL1-BOX	1			5/16"	.52"	.54"	.07"	1.24"							
YA6CL3-BOX	1			3/8"	.63"	.54"	.06"	1.28"							
YA6CL4-BOX	1			1/2"	.75"	.54"	.12"	1.60"							
YA6CL6-BOX	1	#6 AWG		1/4"	.44"	.81"	.07"	1.65"	W5CRT (1) W5CVT (1) W5CRT (1) X5CRT (1)	W5CVT (1) W5CRT (1) X5CRT (1) W5CVT (1)	U5CRT (1)	Blue	7	7/8"	
YA5CL-BOX	1			#5 AWG	1/4"	.44"	.81"	.07"							1.65"

* Use PUADP-1 adapter with U dies in Y46 HYPRESS™.
 ** P-RT die sets for use in Y46 HYPRESS™ only, PUADP-1 adapter not required.
 *** The MM² conductor sizes listed are the recommendations for Class 2 conductor.

† The MM² conductor size listed is for both Class 2 and Class 5 conductor.
 ▲ See tooling section of this catalog for complete tool and die listings.

◆ For applications greater than 2000 Volts, consult cable manufacturer for voltage stress relief instructions.
 Note: All dimensions shown are for reference only.

Blue highlighted items are industry standard and most frequently ordered.

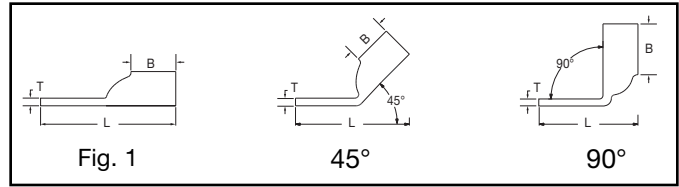
Compression Connections

BURNDY®

Copper Compression – Code

C-18

ONE HOLE HYLUG™ CODE CONDUCTOR STANDARD BARREL (Continued)



45° and 90° angles are available.

Please contact Customer Service to order:
1-800-346-4175



Catalog Number	Fig #	Conductor		Stud Hole Size	Tongue Width	Figure Dimensions			Dieless (# of crimps)	▲ Installation Tooling					Wire Strip Length	
		AWG	*** MM²			(B)	(T)	(L)		Mechanical MD6, OUR840, MD7-34R	Hydraulic BCT500HS, Y500CTS	Y35, Y39, Y750, Y46*, PAT750	Color Code	Die Index		
YA4CL-BOX	1	#4 AWG		1/4"	.50"	.81"	.09"	1.74"	Y1MRTC (2) MY29-3 (1) MY29-11 (1) MRC840 (1) Y644HS (1) Y81KFT (1) Y81KFTMBH (1) PAT81KFT-18V (1)	W4CVT (1) W4CRT (1) X4CRT (1)	W4CVT (1) W4CRT (1) X4CRT (1)	U4CRT (1) U6CABT (1)	Gray	8	7/8"	
YA4CL1-BOX	1			8-10	.50"	.81"	.09"	1.58"								
YA4CL3-BOX	1			5/16"	.58"	.81"	.08"	1.92"								
YA4CL4-BOX	1			3/8"	.58"	.81"	.08"	1.92"								
YA4CL6-BOX	1			1/2"	.71"	.81"	.06"	2.20"								
YA3CL	1	# 3 Str # 2 Sol	25	5/16"	.55"	.88"	.09"	1.88"								
YA2CL2-BOX	1	#2 AWG	35	1/4"	.61"	.88"	.11"	1.88"	Y81KFTMBH (1) PAT81KFT-18V (1)	W2CVT (1) W2CRT (1) X2CRT (1)	W2CVT (1) W2CRT (1) X2CRT (1)	U2CRT (1)	Brown	10	15/16"	
YA2CL-BOX	1			5/16"	.61"	.88"	.11"	1.93"								
YA2CL4-BOX	1			3/8"	.61"	.88"	.11"	2.06"								
YA2CL6-BOX	1			1/2"	.73"	.88"	.09"	2.32"								
YA1CL2	1	#1 AWG	50	1/4"	.68"	.88"	.10"	1.81"								
YA1CL-BOX	1			5/16"	.68"	.88"	.01"	1.94"	W1CVT (1) W1CRT-1 (1) X1CRT-1 (1)	W1CVT (1) W1CRT-1 (1) X1CRT-1 (1)	U1CRT-1 (1) U4CABT (1)	Green	11	15/16"		
YA1CL4-BOX	1			3/8"	.68"	.88"	.10"	2.06"								
YA1CL6-BOX	1			1/2"	.73"	.88"	.09"	2.37"								
YA25L2-BOX	1	1/0 AWG		1/4"	.75"	.88"	.12"	1.84"	MY29-3 (1) MY29-11 (1) MRC840 (2) Y644HS (1) Y81KFT (1) Y81KFTMBH (1) PAT81KFT-18V (1)	W25VT (2) W25RT (2) X25RT (2)	W25VT (2) W25RT (2) X25RT (2)	U25RT (1) U2CABT (1)	Pink	12	15/16"	
YA25L4-BOX	1			3/8"	.75"	.88"	.12"	2.09"								
YA25L6-BOX	1			1/2"	.75"	.88"	.12"	2.34"								
YA25L-BOX	1			5/16"	.75"	.88"	.12"	1.96"								
YA26L2-BOX	1	2/0 AWG	70	1/4"	.83"	.94"	.12"	1.94"								
YA26L-BOX	1			3/8"	.83"	.94"	.12"	2.19"	W26VT (2) W26RT (2) X26RT (2)	W26VT (2) W26RT (2) X26RT (2)	U26RT (1)	Black	13	1"		
YA26L60	1			3/4"	.96"	.94"	.12"	2.96"								
YA26L6-BOX	1			1/2"	.83"	.94"	.12"	2.44"								
YA26LNT516	1			5/16"	.62"	.94"	.13"	2.62"								
YA27L3	1	3/0 AWG		5/16"	.91"	1.00"	.13"	2.16"	MY29-3 (1) MY29-11 (1) MRC840 (2) Y644HS (1) Y81KFT (2) Y81KFTMBH (2) PAT81KFT-18V (2)	W27VT (2) W27RT (2) X27RT (3)	W27VT (2) W27RT (2) X27RT (3)	U27RT (1)	Orange	14	1-1/16"	
YA27L4-BOX	1			3/8"	.91"	1.00"	.13"	2.29"								
YA27L-BOX	1			1/2"	.91"	1.00"	.13"	2.54"								
YA27LNT38	1			3/8"	.76"	1.00"	.12"									
YA28L2-BOX	1	4/0 AWG		1/4"	1.02"	.88"	.14"	1.96"								
YA28L3	1	4/0 AWG		5/16"	1.02"	.88"	.14"	2.08"	MY29-3 (1) MY29-11 (1) MRC840 (2) Y644HS (1) Y81KFT (2) Y81KFTMBH (2) PAT81KFT-18V (2)	W28VT (2) W28RT (2) X28RT (2)	W28VT (2) W28RT (2) X28RT (3)	U28RT (1)	Purple	15	1-1/8"	
YA28L4-BOX	1			3/8"	1.02"	.88"	.14"	2.21"								
YA28L56	1			3/4"	1.05"	.88"	.13"	1.97"								
YA28L-BOX	1			1/2"	1.02"	.88"	.14"	2.46"								
YA28LNT38	1			3/8"	.76"	.88"	.16"	2.79"								

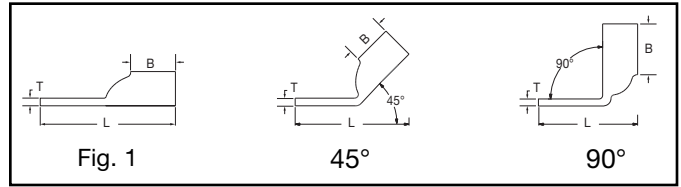
* Use PUADP-1 adapter with U dies in Y46 HYPRESS™.
** P-RT die sets for use in Y46 HYPRESS™ only, PUADP-1 adapter not required.

*** The MM² conductor sizes listed are the recommendations for Class 2 conductor.
▲ See tooling section of this catalog for complete tool and die listings.

Note: All dimensions shown are for reference only.

Blue highlighted items are industry standard and most frequently ordered.

**ONE HOLE HYLUG™
CODE CONDUCTOR
STANDARD BARREL**
(Continued)



45° and 90° angles are available.
Please contact Customer Service to order:
1-800-346-4175



Catalog Number	Fig #	Conductor		Stud Hole Size	Tongue Width	Figure Dimensions			Dieless (# of crimps)	▲ Installation Tooling					Wire Strip Length	
		AWG	MM ²			(B)	(T)	(L)		Mechanical		Hydraulic		Color Code		Die Index
										MD6, OUR840, MD7-34R	BCT500HS, Y500CTHS	Y35, Y39, Y750, Y46*, PAT750				
YA29L2	1	250 kcmil		1/4"	1.11"	1.06"	.16"	2.17"	MY29-3 (1) MY29-11 (1) Y644HS (1) Y81KFT (2) Y81KFTMBH (2) PAT81KFT-18V (2)	W29VT (2) X29RT (4)	W29VT (2) W29RT (2) X29RT (4)	U29RT (1)	Yellow	16	1-1/8"	
YA29L4	1			3/8"	1.11"	1.06"	.16"	2.42"								
YA29L7	1			5/16"	1.11"	1.06"	.16"	2.30"								
YA29LTC78	1			7/8"	1.11"	1.06"	.14"	3.36"								
YA29LNT38	1			3/8"	.96"	1.06"	.16"	2.96"								
YA29L-BOX	1			1/2"	1.11"	1.06"	.16"	2.67"								
YA30L	1	300 kcmil	150	1/2"	1.20"	1.03"	.16"	2.69"	Y644HS (1) Y81KFT (2) Y81KFTMBH (2) PAT81KFT-18V (2)	W30VT (2)	W30VT (2) W30RT (2)	U30RT (2) U28ART (2)	White	17	1-1/16"	
YA30L1	1			5/16"	1.20"	1.03"	.16"	2.31"								
YA30L24	1			3/8"	1.20"	1.03"	.16"	2.44"								
YA30L27	1			7/8"	1.20"	1.03"	.16"	3.37"								
YA30L28	1			3/4"	1.20"	1.03"	.16"	3.12"								
YA30L7	1			5/8"	1.20"	1.03"	.16"	2.94"								
YA31L	1	350 kcmil	185	1/2"	1.29"	1.06"	.18"	2.75"	Y644HS (1) Y81KFT (2) Y81KFTMBH (2) PAT81KFT-18V (2)	W31VT (2)	W31VT (2) W31RT (2)	U31RT (2) U29ART (2)	Red	18	1-3/16"	
YA31L11	1			3/8"	1.29"	1.06"	.18"	2.50"								
YA31L36	1			7/8"	1.29"	1.06"	.18"	4.02"								
YA31L7	1			5/8"	1.29"	1.06"	.18"	3.00"								
YA31LNT38				3/8"	.96"	1.06"	.18"	3.37"								
YA32L	1	400 kcmil		5/8"	1.38"	1.19"	.19"	3.18"	Y644HS (1) Y81KFT (2) Y81KFTMBH (2) PAT81KFT-18V (2)	W32VT (2)	W32VT (2) W32RT (2)	U32RT (2) U30ART (2)	Blue	19	1-1/4"	
YA32L1	1			1/2"	1.40"	1.19"	.19"	2.93"								
YA32L14	1			3/8"	1.38"	1.19"	.19"	2.68"								
YA32LTC78	1			7/8"	1.40"	1.19"	.19"	3.62"								
YA33L	1	450 kcmil		5/8"	1.48"	1.50"	.21"	3.57"								
YA34L	1	500 kcmil	240	5/8"	1.55"	1.27"	.23"	3.37"	Y644HS (1) Y81KFT (2) Y81KFTMBH (2) PAT81KFT-18V (2)	W34VT (2)	W34VT (2) W34RT (2)	U34RT (2) U31ART (2)	Brown	20	1-7/16"	
YA34L20	1			1"	1.55"	1.27"	.23"	4.05"								
YA34L37	1			3/8"	1.55"	1.27"	.23"	2.87"								
YA34L6	1			1/2"	1.55"	1.27"	.23"	3.12"								
YA34L8	1			3/4"	1.55"	1.27"	.23"	3.55"								
YA34L9	1			7/8"	1.55"	1.27"	.23"	3.80"								
YA35L	1	550 kcmil		5/8"	1.65"	1.69"	.25"	3.81"			U35RT (2)	Yellow	21	1-3/4"		
YA36L11	1	600 kcmil	300	1/2"	1.74"	1.38"	.27"	3.29"	Y644HS (1) Y81KFT (2) Y81KFTMBH (2)			U36RT (2)	Green	22	1-3/4"	
YA36L	1			5/8"	1.74"	1.38"	.27"	3.72"								
YA36LTC78	1	600 kcmil	300	7/8"	1.74"	1.38"	.27"	3.97"			U36RT (2) U32ART (2)	Green	22	1-3/4"		
YA37L	1	650 kcmil		5/8"	1.80"	1.39"	.27"	3.57"	Y644HS (1) Y81KFT (3) Y81KFTMBH (3) PAT81KFT-18V (3)			U37RT (2)	Orange	23	1-15/16"	
YA37L1	1															3.76"
YA38L	1	700 kcmil		5/8"	1.84"	1.45"	.27"	3.66"			U38RT (2)	Pink	400	1-15/16"		
YA39L	1	750 kcmil		5/8"	1.91"	1.42"	.27"	3.67"	Y644HS (1) Y81KFT (3) Y81KFTMBH (3) PAT81KFT-18V (3)			U39RT (2) P39RT (2) **	Black	24	1-15/16"	
YA39L2	1			7/8"	1.91"	1.42"	.27"	4.10"								
YA39L9	1			1-1/4"	1.91"	1.42"	.27"	4.85"								
YA39LNT38				3/8"	1.12"	1.42"	.27"	4.70"								
YA39L6	1			1/2"	1.91"	1.42"	.27"	3.41"								

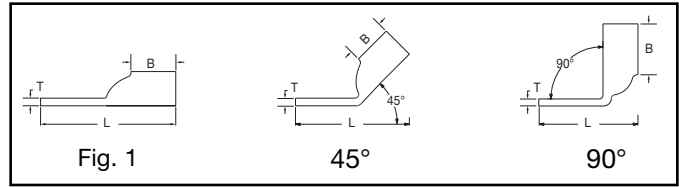
* Use PUADP-1 adapter with U dies in Y46 HYPRESS™.
** P-RT die sets for use in Y46 HYPRESS™ only, PUADP-1 adapter not required.

*** The MM² conductor sizes listed are the recommendations for Class 2 conductor.
▲ See tooling section of this catalog for complete tool and die listings.

◆ For applications greater than 2000 Volts, consult cable manufacturer for voltage stress relief instructions.
Note: All dimensions shown are for reference only.

Blue highlighted items are industry standard and most frequently ordered.

ONE HOLE HYLUG™ CODE CONDUCTOR STANDARD BARREL (Continued)



45° and 90° angles are available.

Please contact Customer Service to order:
1-800-346-4175



Catalog Number	Fig #	Conductor		Stud Hole Size	Tongue Width	Figure Dimensions			Dieless (# of crimps)	▲ Installation Tooling				Wire Strip Length	
		AWG	*** MM ²			(B)	(T)	(L)		Mechanical	Hydraulic		Color Code		Die Index
										MD6, OUR840, MD7-34R	BCT500HS, Y500CTHS	Y35, Y39, Y750, Y46*, PAT750			
YA40L	1	800 kcmil	400	5/8"	1.98"	1.42"	.30"	3.81"	Y644HS (1)	—	—	P40RT(3) **	Orange	25	1-15/16"
YA41L	1	850 kcmil		5/8"	2.01"	1.88"	.31"	4.15"	Y81KFT (3)	—	—	—	Gold	26	1-15/16"
YA44L	1	1000 kcmil	500	5/8"	2.19"	1.65"	.33"	4.04"	Y81KFTMBH (3)	—	—	P44RT(3) **	White	27	1-15/16"
YA44L2	1			1/2"	2.49"	1.65"	.33"	3.98"	PAT81KFT-18V (3)						
YA44L23	1			1"	2.19"	1.65"	.33"	4.73"	Y644MBH (1) PAT644-18V (1)						
YA45L	1	1250 kcmil		3/4"	2.46"	2.00"	.38"	4.68"		—	—	P45RT(3) **	Yellow	29	2-1/16"
YA453L	1	1300 kcmil		3/4"	2.53"	2.00"	.39"	4.71"		—	—	—	Orange	30	2-1/16"
YA46L	1	1500 kcmil		3/4"	2.69"	2.00"	.40"	4.78"		—	—	P46RT(3) **	Green	31	2-1/16"
YA48L	1	2000 kcmil		3/4"	3.10"	2.25"	.46"	5.19"		—	—	—	Brown	34	2-1/4"

* Use PUADP-1 adapter with U dies in Y46 HYPRESS™.
** P-RT die sets for use in Y46 HYPRESS™ only, PUADP-1 adapter not required.

*** The MM² conductor sizes listed are the recommendations for Class 2 conductor.
▲ See tooling section of this catalog for complete tool and die listings.

u For applications greater than 2000 Volts, consult cable manufacturer for voltage stress relief instructions.
Note: All dimensions shown are for reference only.